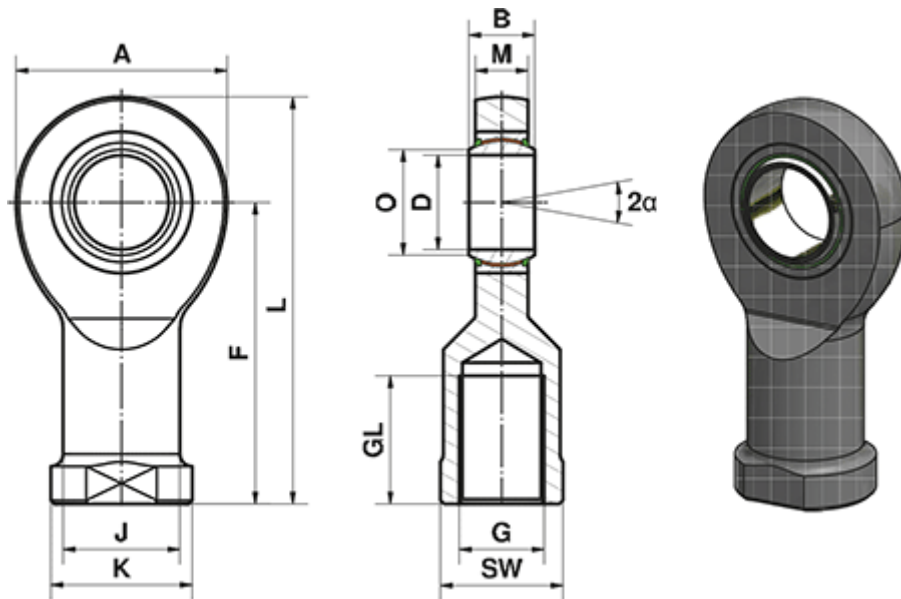


Data Sheet



Article number: 03490050
Description: Fluro Heavy Duty Rod end EI 50 EW-2RS
M45x3 Female thread
Note: 50

Measures



A	= 112	J	= 62
a (degrees)	= 6	K	= 75
B	= 35	L	= 216
D	= 50	M	= 30
Dynamic load C (kN)	= 442	O	= 56
F	= 160	Static load C0 (kN)	= 320
G	= M45x3	SW	= 65
GL	= 68	Weight (g)	= 3500